

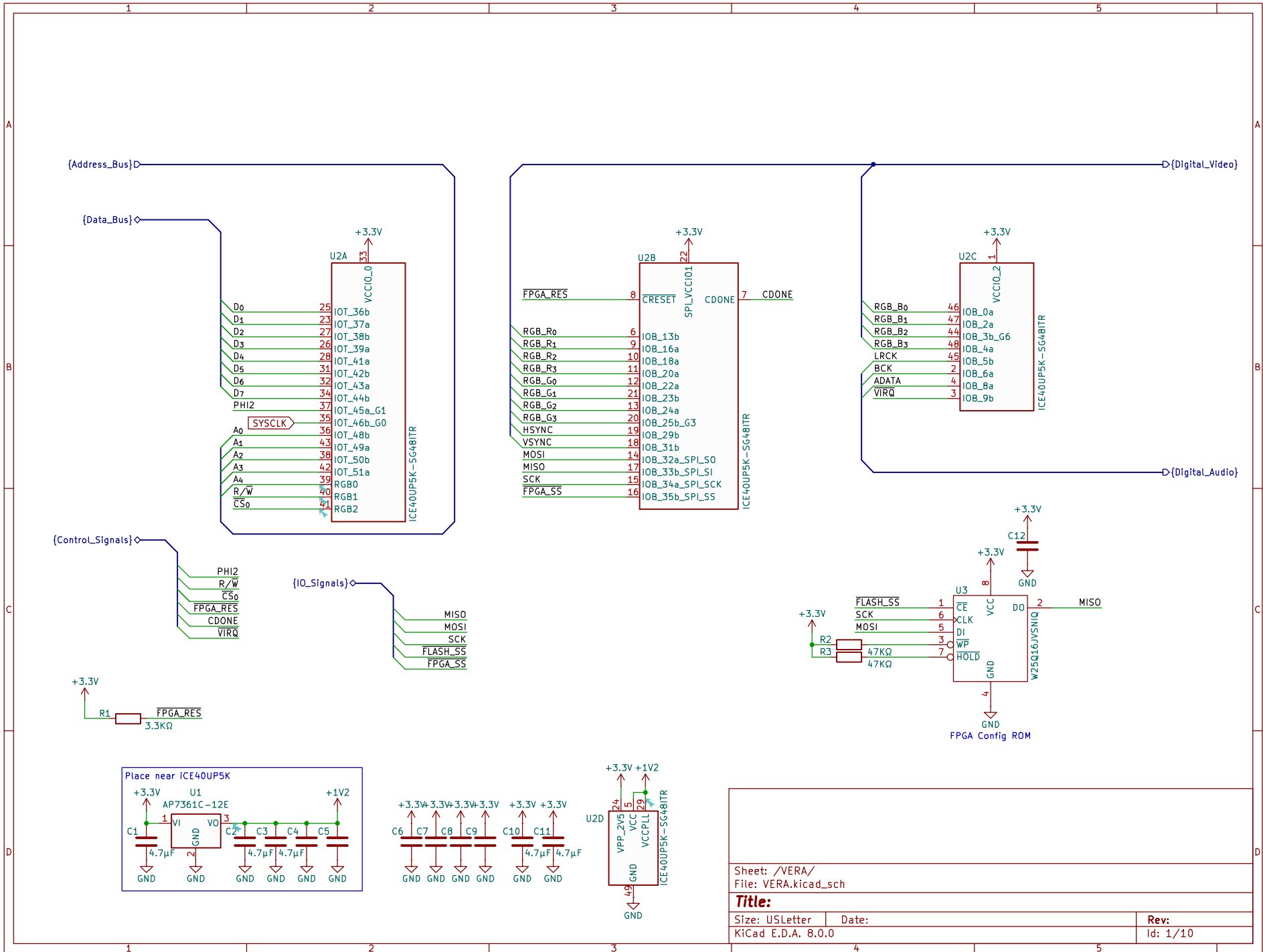
Unmarked capacitors are CL05A106MQ5NUNC 10uF 6.3V 0402

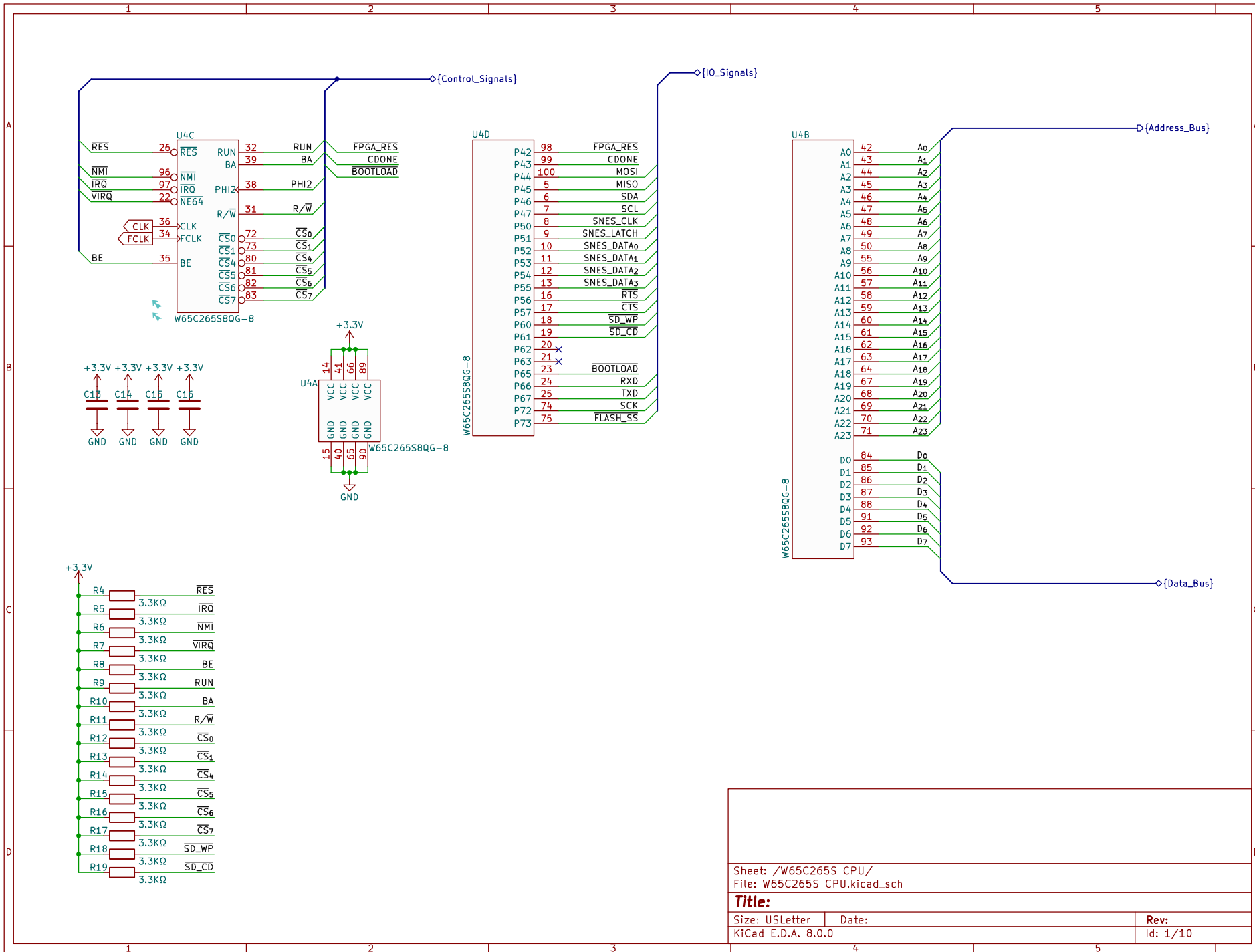
Sheet: /
 File: Sentinel 65X - Prototype 4 V2.kicad_sch

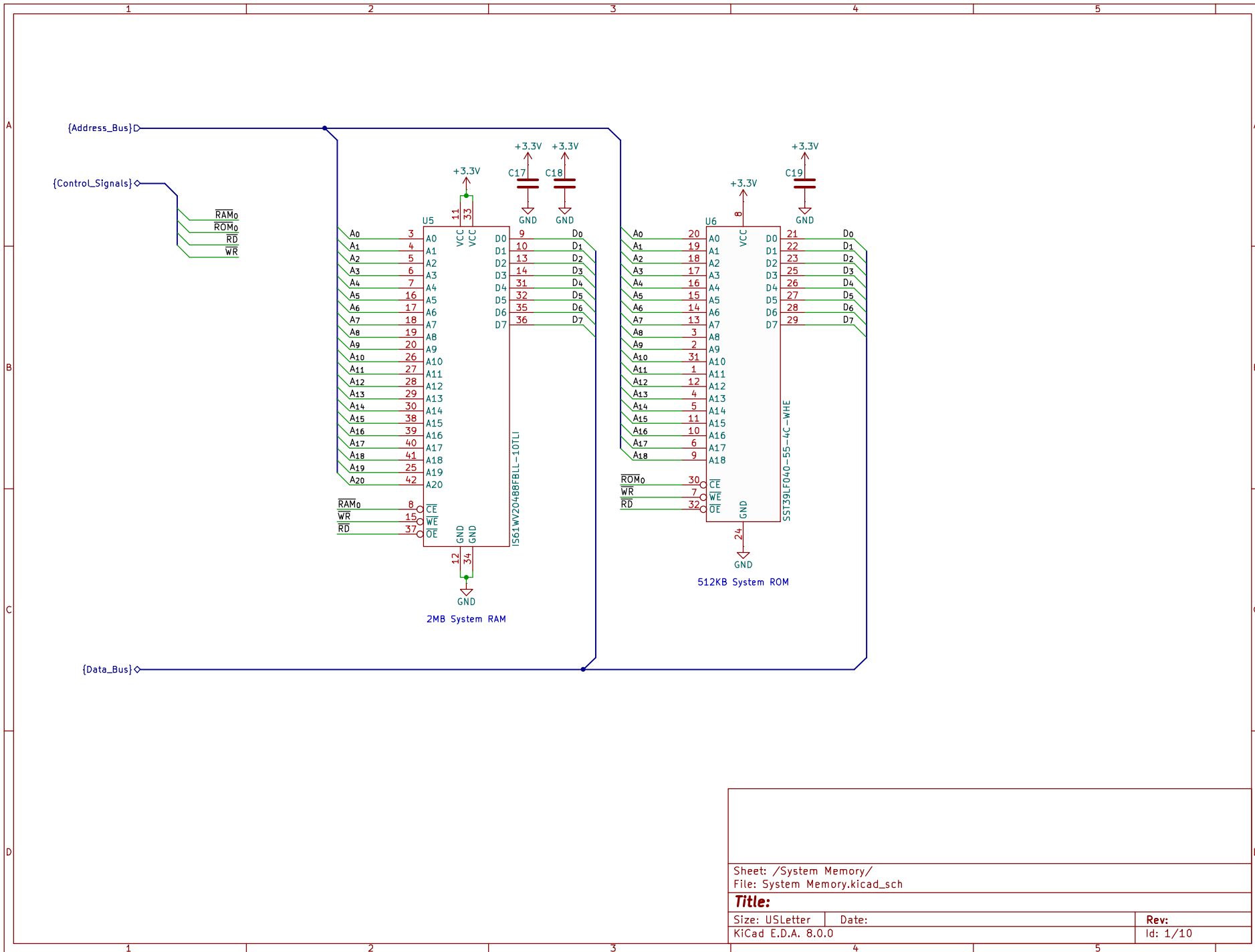
Title:

Size: USLetter Date:
 KiCad E.D.A. 8.0.0

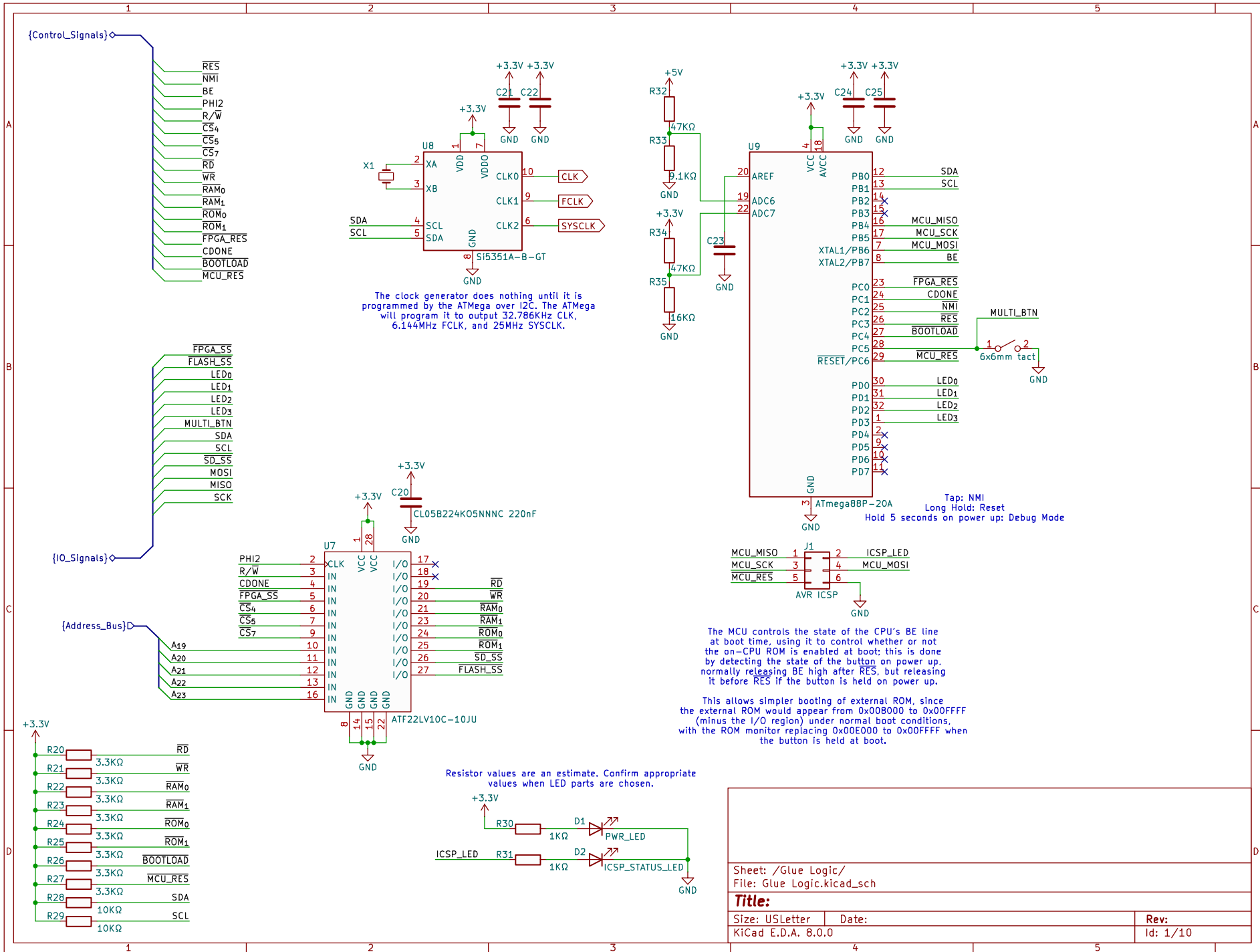
Rev:
 Id: 1/10



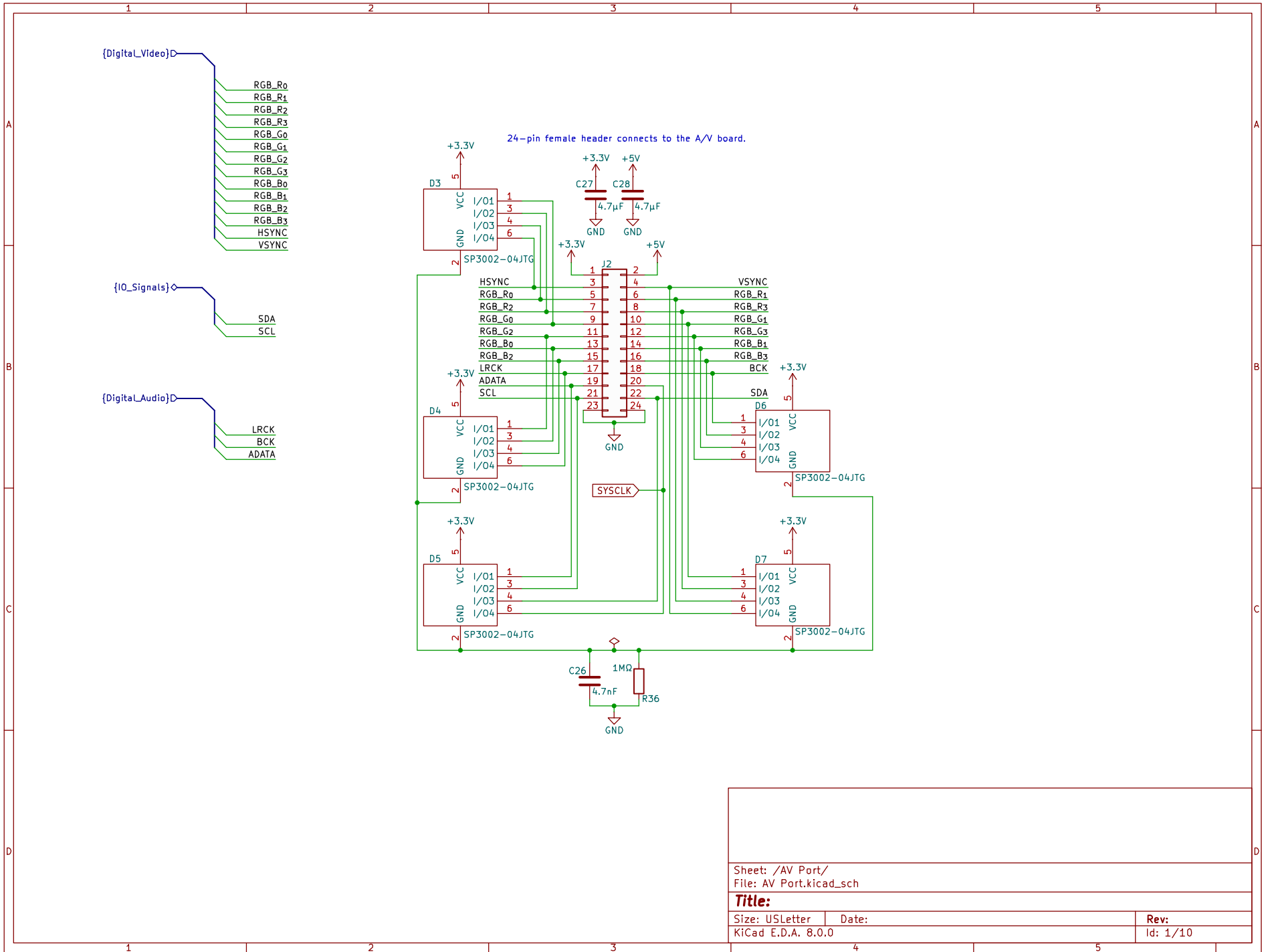




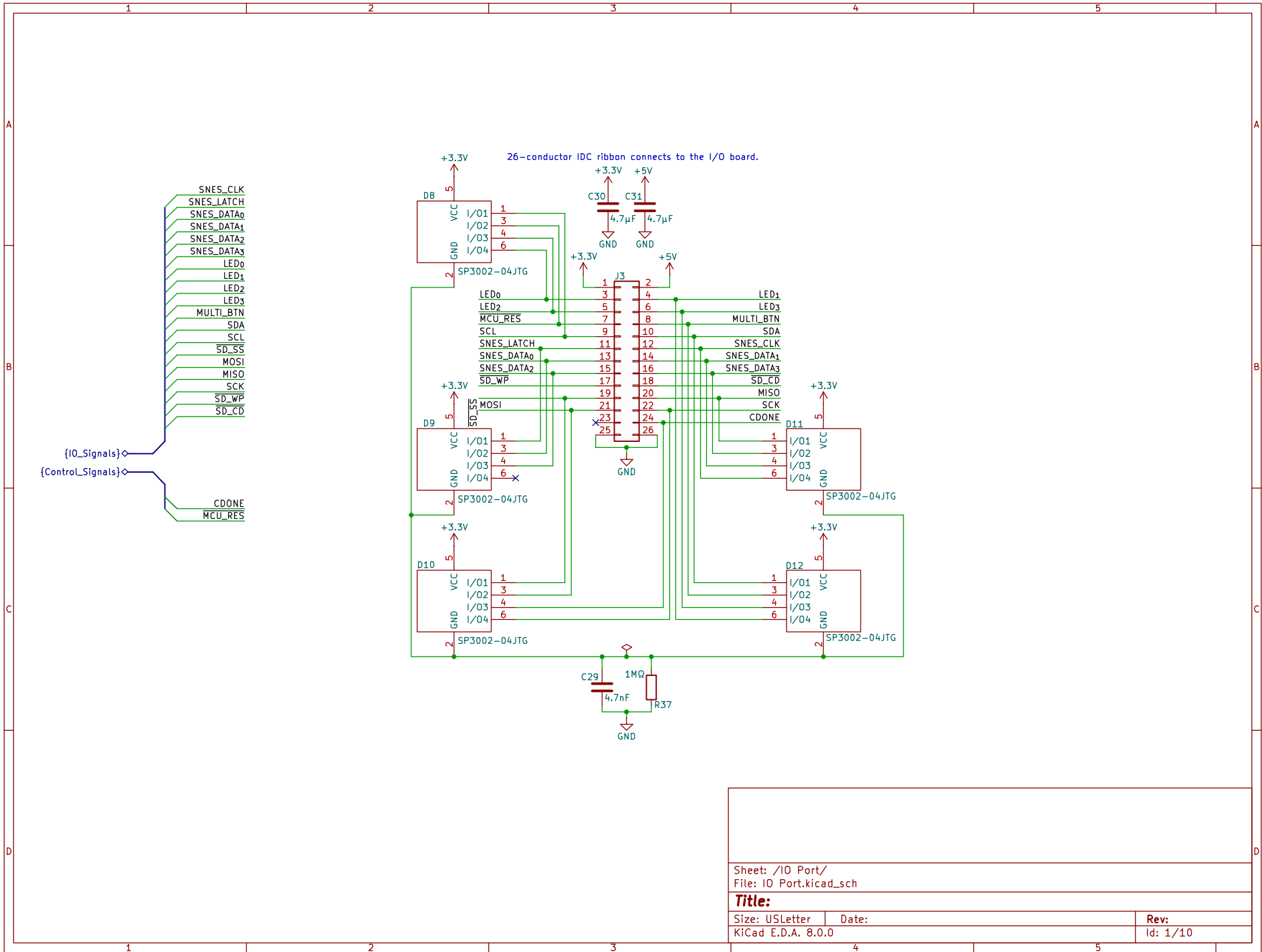
Sheet: /System Memory/	
File: System Memory.kicad_sch	
Title:	
Size: USLetter	Date:
KiCad E.D.A. 8.0.0	Rev: 1/10



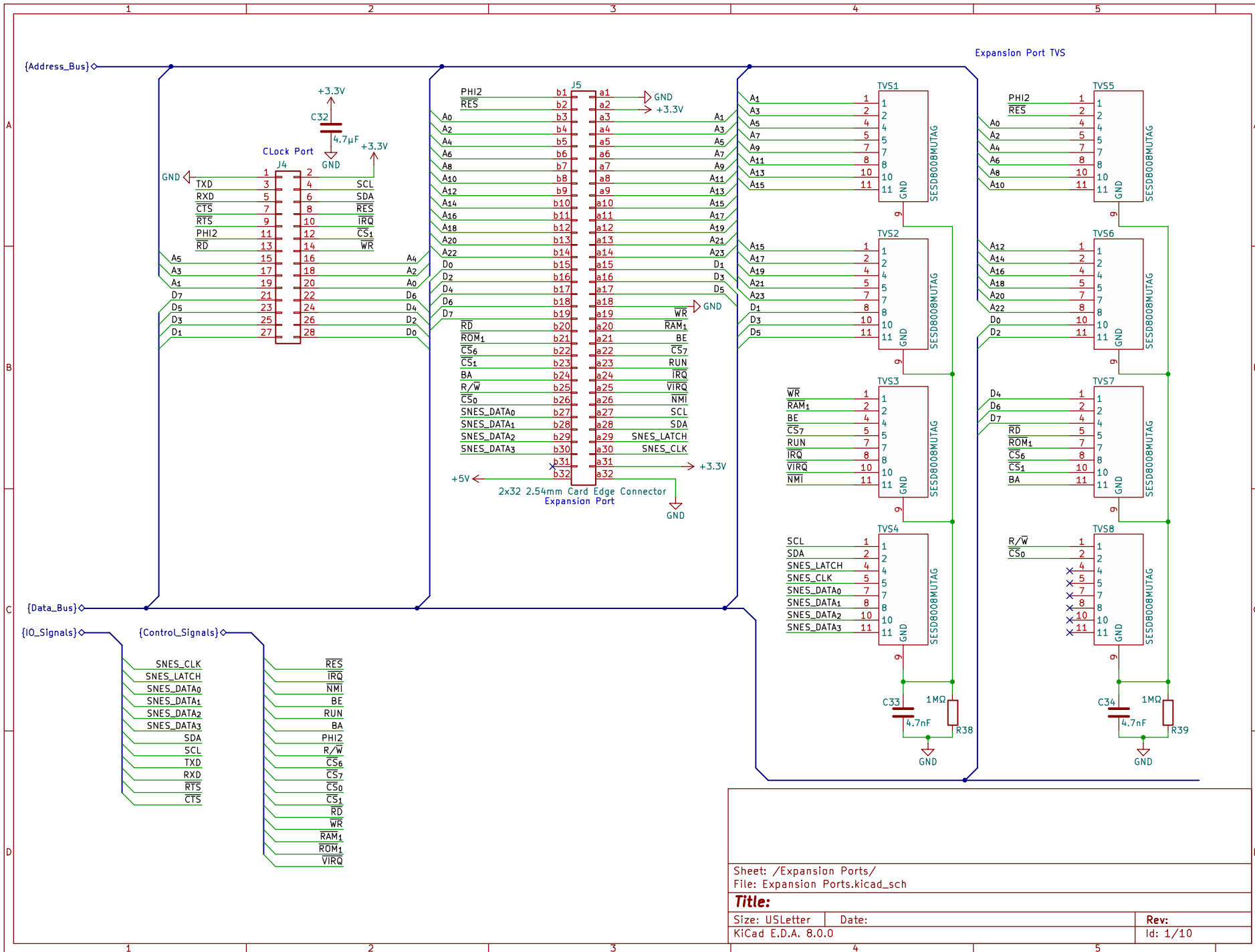
Sheet: /Glue Logic/		Date:	
File: Glue Logic.kicad_sch		Rev:	
Title:			
Size: USLetter	KiCad E.D.A. 8.0.0	Id: 1/10	



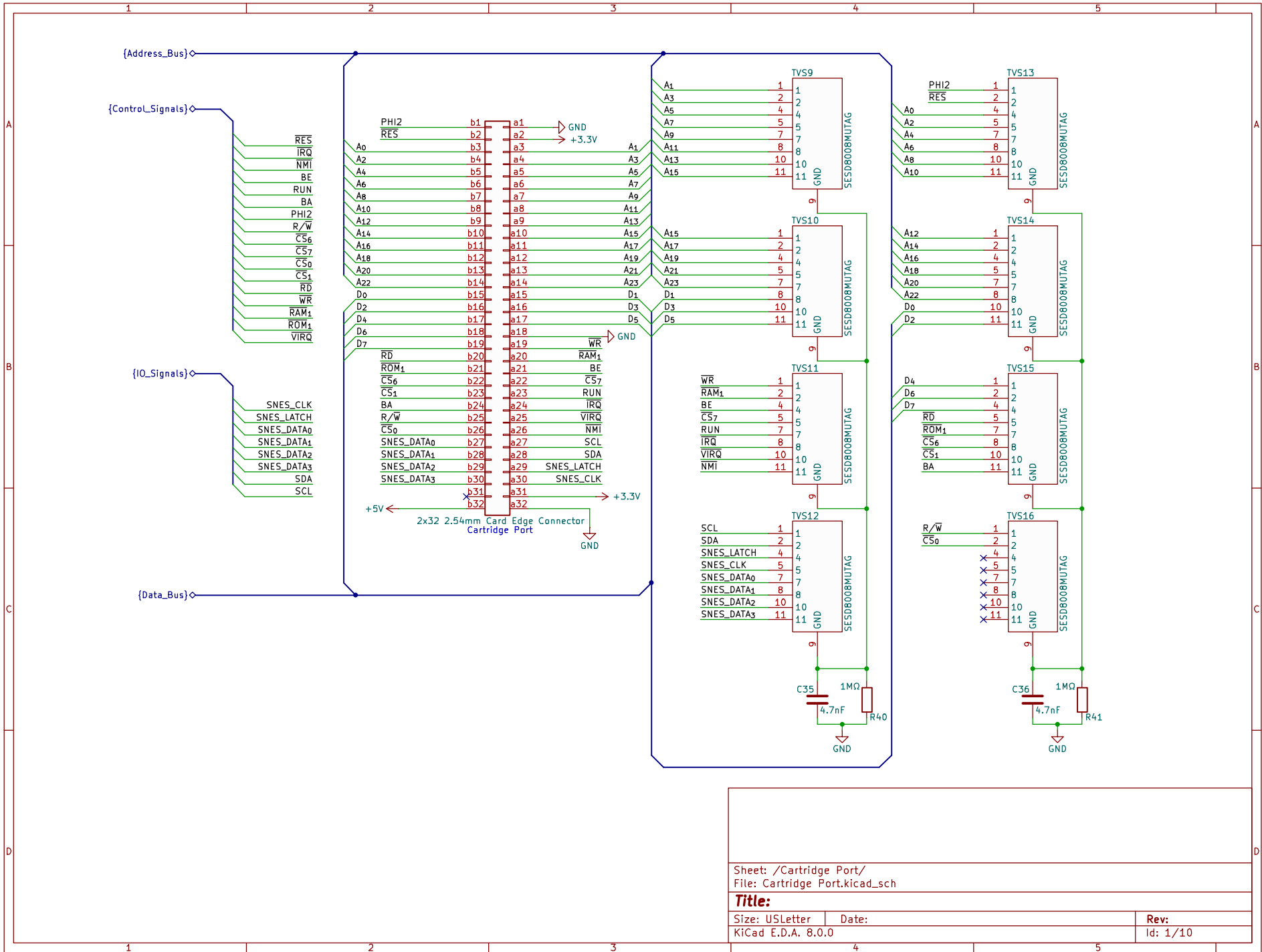
Sheet: /AV Port/	
File: AV Port.kicad_sch	
Title:	
Size: USLetter	Date:
KiCad E.D.A. 8.0.0	Rev: 1/10



Sheet: /IO Port/	
File: IO Port.kicad_sch	
Title:	
Size: USLetter	Date:
KiCad E.D.A. 8.0.0	Rev: 1/10



Sheet: /Expansion Ports/
 File: Expansion Ports.kicad_sch
Title:
 Size: USLetter Date: Rev:
 KiCad E.D.A. 8.0.0 Id: 1/10



Sheet: /Cartridge Port/
 File: Cartridge Port.kicad_sch

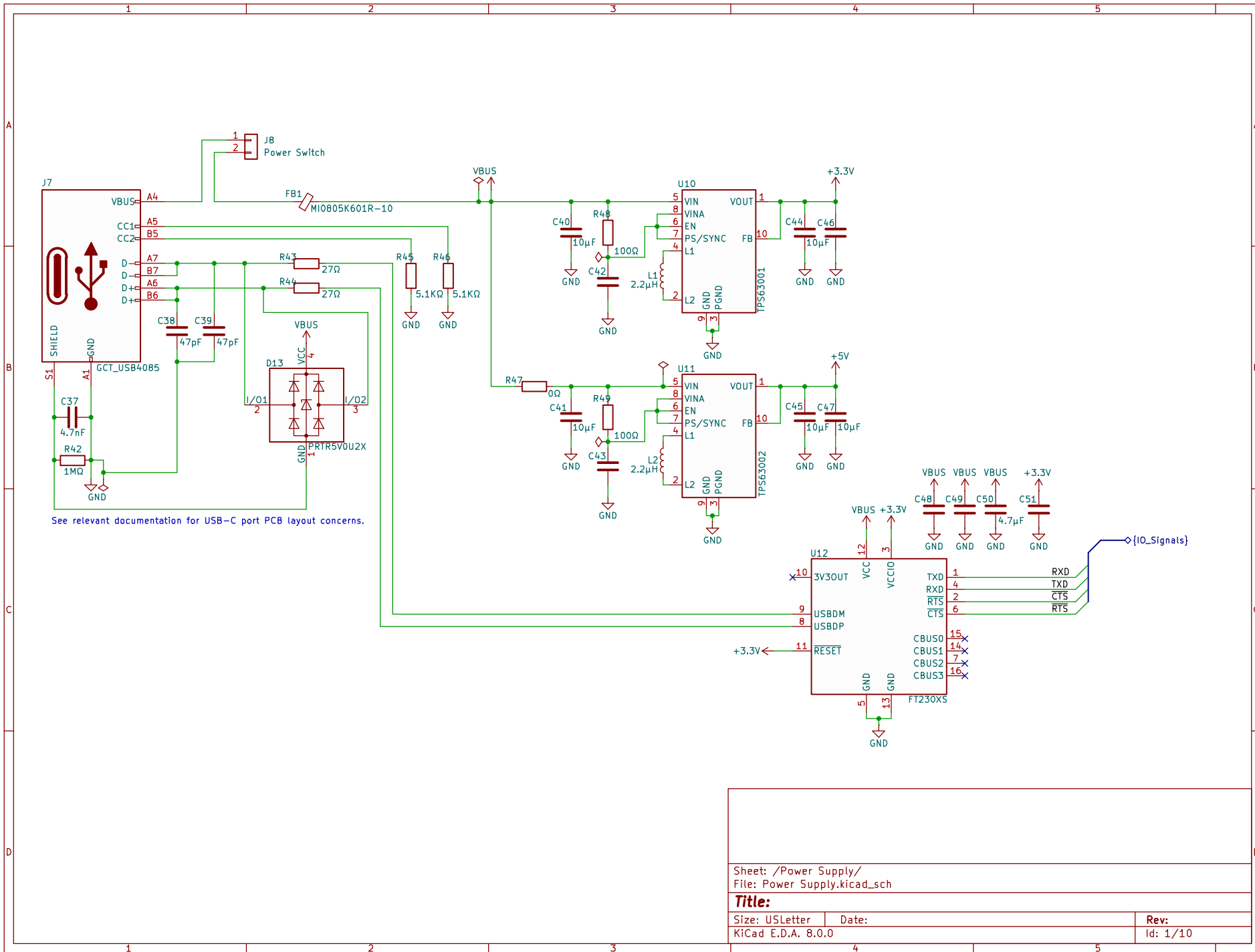
Title:

Size: USLetter Date:

KiCad E.D.A. 8.0.0

Rev:

Id: 1/10



Sheet: /Power Supply/
 File: Power Supply.kicad_sch

Title:

Size: USLetter Date:
 KiCad E.D.A. 8.0.0

Rev:
 Id: 1/10